

LED Adjustable Full Cut Off Wall Pack

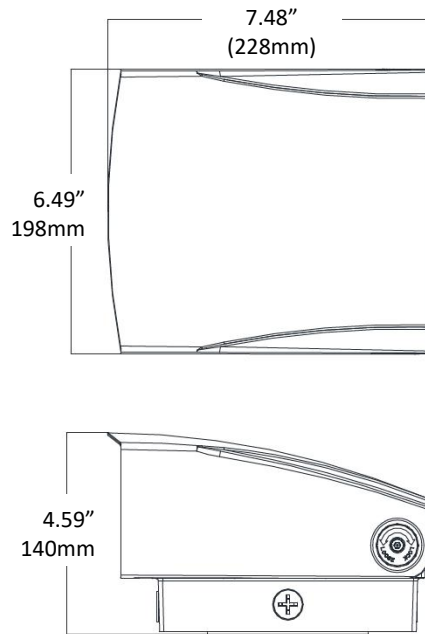


Application: Perfect commercial or industrial solution for outdoor building facades, patios, driveways, walkways, decks, parking garages, and more applications

Certification



Dimension



Specifications

Model	TCL-WPA-80W-TW3CCT
Wattage	80W/60W/45W Selectable
Dimming	0-10V
Lumen Output	5850-7800-10400Lm
Input Voltage	AC100-277V 50/60Hz
CCT	3000K-4000K-5000K Selectable
CRI	Ra>80
Working Temperature	~-40°F ~+122°F / ~-40°C ~+50°C
Environment Location	WET LOCATIONS (IP65)
Driver Surge protection	L/N-PE: 6kV, L-N: 6kV
Life Span	Lumen Maintenance over 70% @ 50,000+ Hours
Lamp Shell	Dark Bronze
Accessories Option	PC: Photocell Control Pre-Installed
DLC ID	S-B51R62
PCS/BOX	4
Master Box Dimension	L519*W284*H406mm / 17.0"x9.31"x13.32"
Master Box Weight	11.28KG / 24.86LB

Photometric

Luminaire Property

Luminaire Manufacturer:
Luminaire Category:
Lamp Catalog:
Number of Lamps:
Luminous Length (mm):
Luminous Height (mm):
Current: 0.671 A
Power Factor: 0.994

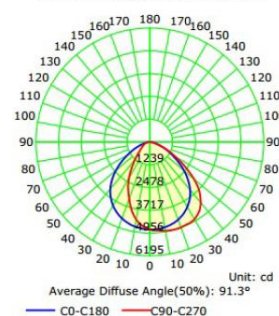
Luminaire Description:
Lamp Description:
Lumens per Lamp:
Luminous Width (mm):
Voltage: 120.0 V
Power: 80.09 W

Photometric Results

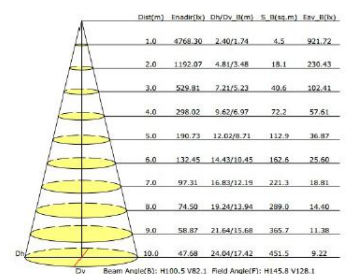
IES Classification: Type II
Total Rated Lamp Lumens: 10598.3 lm
Efficiency: 100%
Upward Ratio: 0%
C0r0 Intensity: 4768.3 cd
Pos of Max. Intensity: H90 V18
Beam Angle(C0/C180,C90/C270,C45/C225,C135/315): 100.5, 82.1, 91.6, 90.5

Longitudinal Classification: Very Short
Measurement Flux: 10598.3 lm
Downward Ratio: 100%
Luminaire Efficacy Rating (LER): 132.38
Max. Intensity: 4956.4 cd

Luminous Intensity Distribution Curve



Illuminance at a Distance

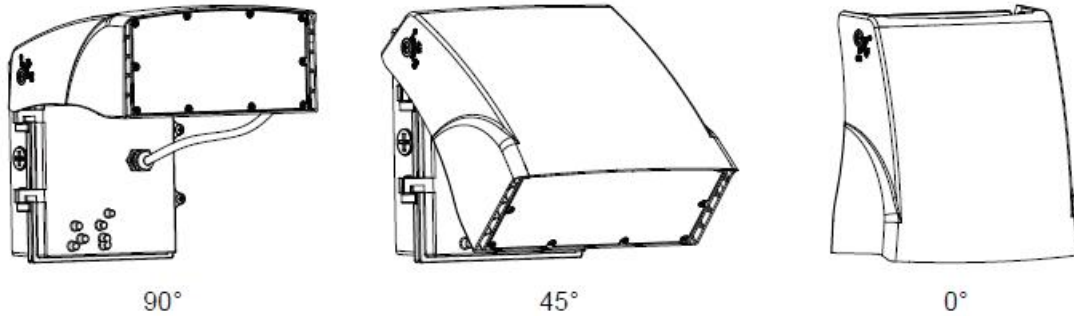


LED Adjustable Full Cut Off Wall Pack

Standard wire:

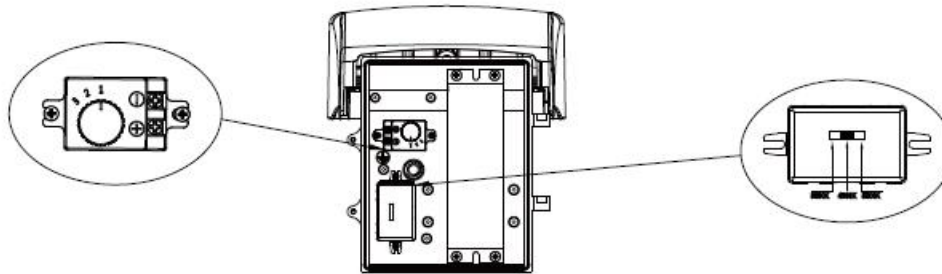
L/live wire: Black\Brown;
 N/null wire: White\Blue;
 Ground wire: Green\Yellow-green.

Note: To meet the requirements of DLC certification, lamps are limited to the same side of the light-emitting use, not in different directions of irradiation use (as shown below)



CCT & Wattage adjustment instruction

- 1, After the fixture is fixed(Step 9), adjust the CCT via a controlling switch as per your demand, with 3000K/ 4000K/ 5000K optional, as shown in below picture;
- 2, After the fixture is fixed(Step 9), adjust the wattage via a controlling knob as per your demand, with 3 settings optional, as shown in below picture;



Warning/Advertisement:

MIN 90°C SUPPLY CONDUCTORS

THIS PRODUCT MUST BE INSTALLED IN ACCORDANCE WITH THE APPLICABLE INSTALLATION CODE BY A PERSON FAMILIAR WITH THE CONSTRUCTION AND OPERATION OF THE PRODUCT AND THE HAZARDS INVOLVED

LES FILS D'ALIMENTATION 90 °C MIN

CE PRODUIT DOIT ÊTRE INSTALLÉ SELON LE CODE D'INSTALLATION PERTINENT, PAR UNE PERSONNE QUI CONNAÎT BIEN LE PRODUIT ET SON FONCTIONNEMENT AINSI QUE LES RISQUES INHÉRENTS.