

Project Name: _____
Date: _____ **Note:** _____

LED EMERGENCY READY DOUBLE RING FLUSH MOUNT CEILING LIGHT



Application: Ideal for residential place, office, hallways, utility room and commercial place such as hotel rooms.

Product Description

LED Double ring ceiling flush mount ceiling light is an ideal low maintenance, high efficiency light option for different places in a more stylish way.

- WARRANTY--5-year limited warranty
- Damp Location
- Durable polymer cover
- Emergency backup Ready - easy installation

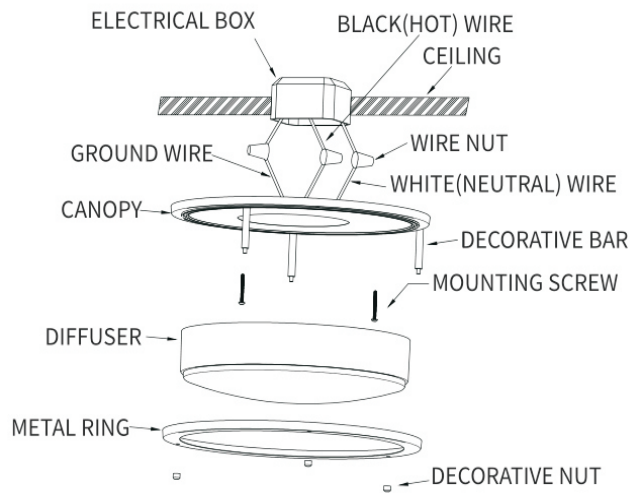
Certifications



SPECIFICATIONS:

Model No.	TCL-DR12-16WCCT (EM)	TCL-DR14-22WCCT (EM)	TCL-DR16-26WCCT (EM)
Wattage	16W	22W	26W
Size	12"	14"	16"
Lumens	1450 LM	1850 LM	2200 LM
Rated Input Voltage(V)	AC 120V		
Light Source	SMD		
CCT	CCT Selectable: 2700K/3500K/4000K/5000K/6500K		
Body Finish	Nickel		
Beam Angle (°)	120°		
Dimming	No		
Lumen Efficiency	80~85 Lm/W		
Color Rendering Index	Ra>80		
Power Factor	0.95		
Working Temperature	-4 ° F ~+105 ° F / -15°C ~40°C		
Storage Temperature	-4 ° F ~+105° F / -15 ° C ~ +40 ° C		
Environment Location	IP 20 – Indoor Only		
Lifespan	Lumen Maintenance over 70% @ 50,000+ Hours		
Charging Time	≥24 Hours		
Emergency Time	1.5 Hours		
Package Info	25.3"X12.5"X12.5"	28.8"X14.5"X14.5"	30.5"X16.5"X16.5"
PC/ Master Pack	6	6	6
Weight	19 LB	23.6 LB	28 LB

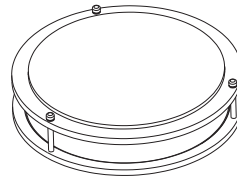
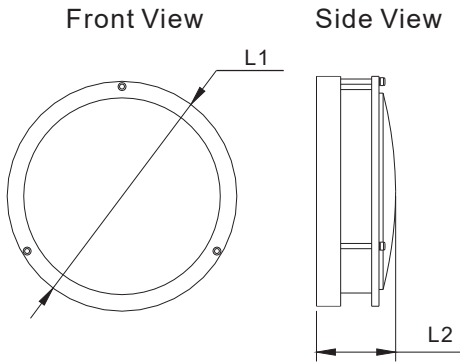
STRUCTURE



ORDERING CODE DEFINITION

EXAMPLE: TCL -DR12-16WCCT (EM)						
Company Code	Product	Size	Power:	CCT	EM	
TCL	DR: Double Ring Flush Mount Ceiling Light	12"	16W	5 CCT Selectable: 2700K/3500K/4000K/5000K/ 6500K	EM: Emergency Backup Driver Ready Fixture	
		14"	22W			
		16"	26W			

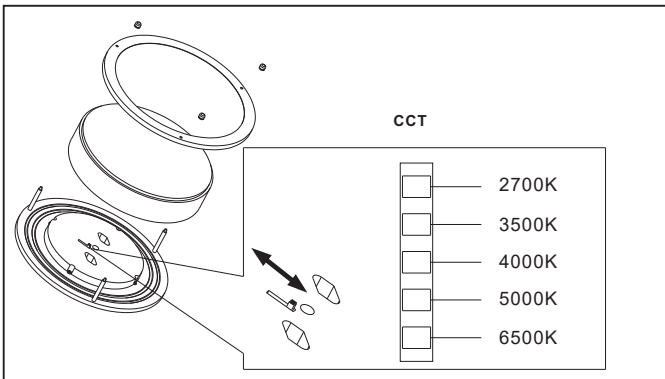
PRODUCT DIMENSION



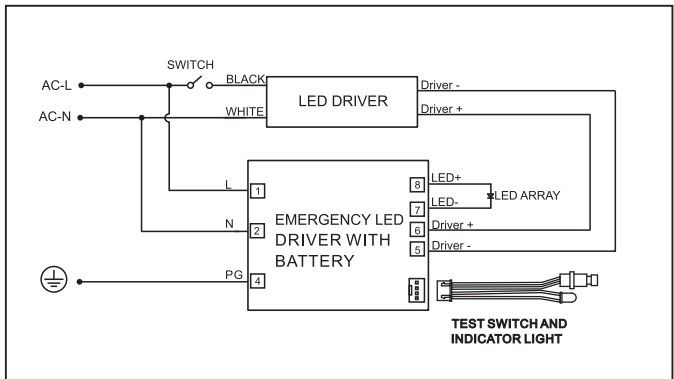
Model No.	TCL-DR12-16WCCT (EM)	TCL-DR14-22WCCT (EM)	TCL-DR16-26WCCT (EM)
Size	Φ305mm/Φ12"	Φ355mm/Φ14"	Φ405mm/Φ16"
L1	Φ305mm/Φ12"	Φ355mm/Φ14"	Φ405mm/Φ16"
L2	104mm/4.09"	114mm/4.49"	124mm/4.89"

INSTALLATION GUIDE

1 CCT Adjustable



2 Wiring Guide



PHOTOMETRIC REPORT

