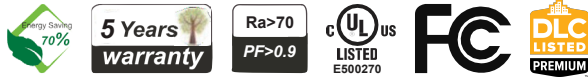


Project Name: _____
 Date: _____ Note: _____

LED FLOOD LIGHT



Certifications



Application: wall lighting, landscape, building facade and signage, entry ways, garages, building perimeters, loading bays and both for residential and commercial applications

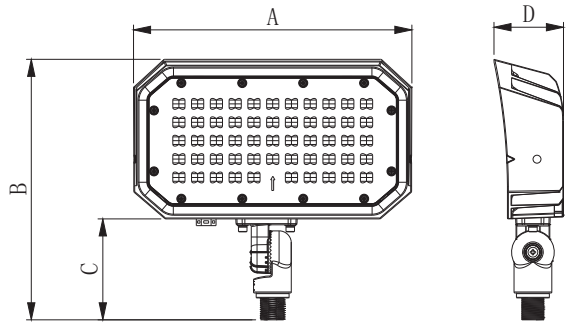
FEATURE

The slim compact LED Flood Light has die cast aluminum housing, which also acts as a heat sink, designed to ensure high efficiency and abundant cooling by natural convection passive airflow. It is a great replacement for a wide range of security, commercial and residential lighting applications.

SPECIFICATION

SKU	TCL-FL-15W-80*110-D-K-50K	TCL-FL-30W-80*110-D-K-50K	TCL-FL-50W-80*110-D-K-50K
MODEL No.	TS-FL0802-15W	TS-FL0803-30W	TS-FL0805-50W
Wattage	15W	30W	50W
Lumens	1950 lm	3600 lm	6000 lm
REPLACES (MH)	70W	100W	150W
Lamp Base Model	LUMILED3030		
Efficiency	> 120 LM/W		
CCT	5000K		
Mounting	Knuckle Mount		
Lighting Angle	80*110°		
CRI	> 70		
Working Temperature	-40 °F ~ +113 °F		
Waterproof Rating	IP65		
Lifetime	50,000 hours		
DLC ID	P424YAFC	PV5AMPIL	PPVQRAOF
PC/Pack	30	20	10
Inner Box	5.51" * 2.2" * 6.46"	7.4" * 2.4" * 7.6"	9.37" * 2.6" * 8.8"
Master Box	17.2" * 11.6" * 13.86"	15.4" * 12.6" * 16.1"	19.4" * 13.9" * 9.64"
Weight (Master Box)	46.96 LB	44.75 LB	36.82 LB

DIMENSIONS



	A	B	C	D
15W	5.1"	6.1"	3.3"	1.8"
30W	7.0"	7.2"	3.3"	2.0"
50W	9.0"	8.4"	2.2"	2.3"

ORDERING CODE DEFINITION

Example: TCL-FL-50W-80*110-D-K-50K-PC or TCL-FL-15W-80*110-D-K-50K

Company Code	Product	Wattage	Lighting Angle	Dimming	Mounting	CCT	Photocell
TCL	FL: Flood Light	15W	80*110: 80*110°	D: 0-10V Dimmable	K: Knuckle	50K: 5000K	Blank: NO PHOTOCELL
		30W					PC: WITH PHOTOCELL
		50W					(PC only available in 50W)