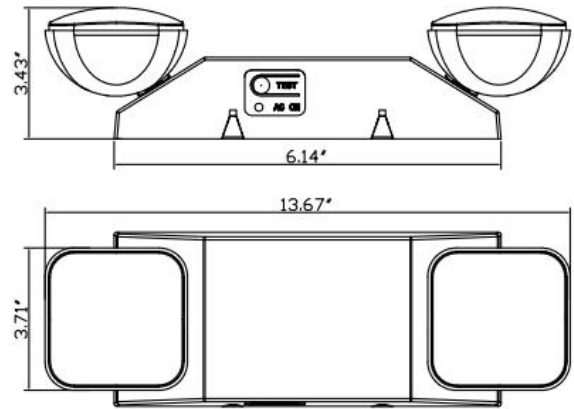


LED RECTANGLE EMERGENCY LIGHT with BATTERY



FEATURES

- High impact flame retardant high thermos and color stable UL 94-5VA rated polycarbonate
- Easy mount feature for fast installation
- Universal JBOX Mounting Pattern

ELECTRICAL

- UL924 Listed
- UL Damp Location Rated
- Dual 120/277 voltage. Optional multi-tap voltage available
- 2x1.2W LAMP HEADS SMD 2835 LEDs
- Built-in 6V700mAH rechargeable Ni-cd battery for minimum 90 minutes emergency operation
- Maximum 24 hours for full recharge time
- Test switch and charge indicator

SPECIFICATION

Model No.	TCL-EML01WH
Voltage	120/277v 60 Hz
Finish	White Finish
Emergency Time	90 Minutes with 6.0V Ni-Cad Battery
Lumens	234 lm
Wattage	3.0W@ 120v; 3.6W@ 277V
Operating Temperature	32°F ~ +104°F / 0°C ~ +40°C
Package Info	14.8x10.3x11.2
PC/ Master Pack	6 PCS
Weight	12 LB