

## LED Troffer – 254 Series



**Application:** Schools/ hospitals/ office/ retails/ commercial; New construction or retrofit for T-Bar ceiling installations...



### FEATURE

### CONSTRUCTION

- Die formed of 0.6mm cold-rolled steel body
- All steel surface are painted after fabrication with high gloss backed white matte powder painted.
- High-diffusion light-milky Acrylic diffuser
- Fully recessed luminaire fits standard T-Grid ceilings

### ELECTRICAL

- All electrical components are UL approved
- Input Voltage from 120-277V
- Bridgelux / Hongli / Mason SMD2835 LED chips
- LED Driver: UL/CUL 120-277V 0-10V LED Driver

- Low operating cost/big savings: save 25% on energy costs over fluorescents; no lamp or ballast replacements
- beautiful design and soft indirect light distribution, creates a comfortable visual transition from lens to ceiling
- High-efficiency: 130 lumens per watt (lum/W)
- Safer: contains no mercury, ultra-low EMFs (electromagnetic frequencies aka dirty electricity)
- T-bar clips and holes for mounting support wires enable recessed or suspended installation

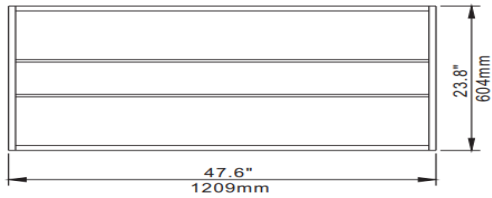
### Specifications

Model	TCL-TR254-35W 1X4-XXK-P	TCL-TR254-35W2X2-XXK-P	TCL-TR254-45W2X4-XXK-P
Power	35W	35W	45W
Size	1X4	2X2	2X4
Input Voltage	100-277 VAC		
Dimming	0-10V Dimmable		
Lumen	130 LM/W		
Protecting Rating	IP20 ( For indoor use ONLY)		
Power Factor	0.95		
Beam Angle	110°		
CCT	3000k/4000k/5000k		
CRI	>80		
Working Life	Lumen Maintenance over 70% @50,000+ hours		
Oper. Temperature	- 4°F ~+104°F / -20°C ~+40°C		

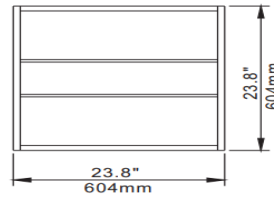
## LED Troffer – 254 Series

### DIMENSION

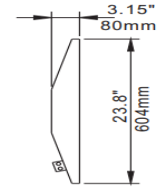
2X4 Front View



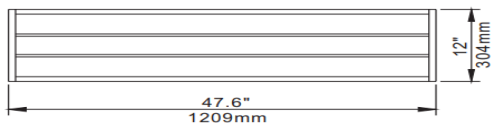
2X2 Front View



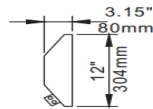
Side View



1X4 Front View



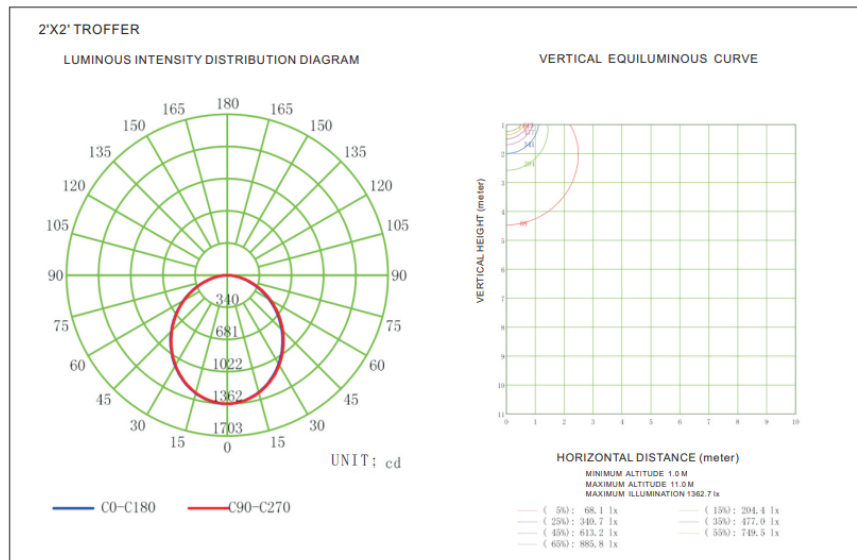
Side View



### PACKAGE INFO

Model. No.	TCL-TR254-35W 1X4-XXK-P	TCL-TR254-35W2X2-XXK-P	TCL-TR254-45W2X4-XXK-P
Size	1X4	2X2	2X4
QTY/PACK	1 PC	1 PC	1 PC
Package Size	1225X100X325mm 48.23"X3.94"X12.8"	640X100X645mm 25.2"X3.94"X25.4"	1225X100X640mm 48.23"X3.94"X25.2"
Package Weight	5.4kg/11.0 lbs	5.5kg/12.1 lbs	9kg/19.8 lbs
Package CBM	0.039813	0.04128	0.0784
40GP Capacity	~1450 PCS	~1400 PCS	~730 PCS
40HQ Capacity	~1700 PCS	~1640 PCS	~860 PCS
45HQ Capacity	~1950 PCS	~1880 PCS	~990 PCS

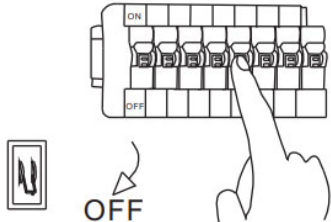
### PHOTOMETRIC REPORT



# LED Troffer – 254 Series


## INSTALLATION

**1**

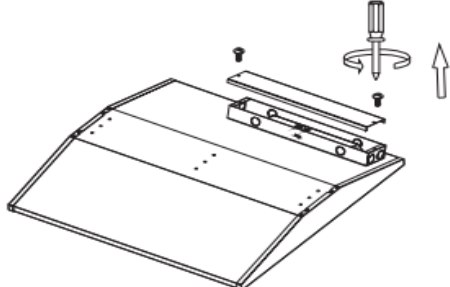


Turn off the switch

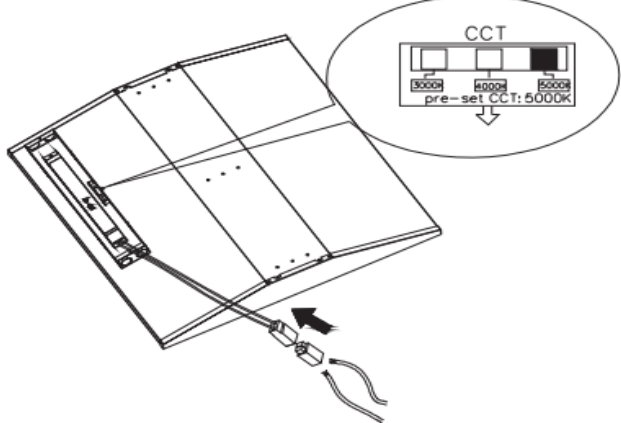
**2**



**3**

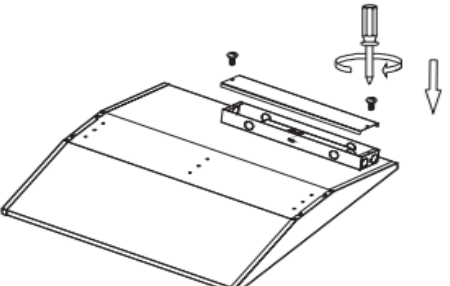


**4**

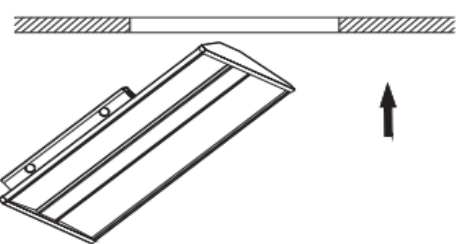


Customer self match hose and connector and please self match external power cord which meets safety regulations of installation and using area

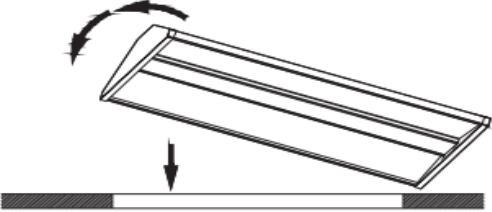
**5**



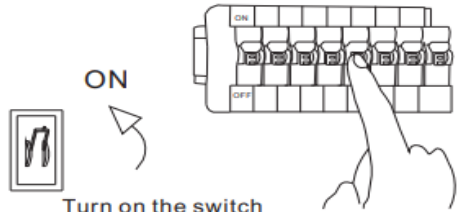
**6**



**7**



**8**



Turn on the switch