

Project Name: _____
 Date: _____ Note: _____

LED UFO High Bay - UFO4 Series



Application: Warehouses, Distribution Centers, Retailers, Field Houses, Gymnasiums, Aisles and more commercial and industries applications



Description

- Energy efficient design delivers up to 140 LPW and DLC Premium classification allow participation in rebates
- 3FT power cord and separate 3FT dimming cord
- Watt and CCT Adjustable with 3,000K, 4,000K or 5,000K color temperature to fit difference environmental needs
- IP65 Rated for wet location
- 5 Years Limited Warranty

Sensor Feature



Built in sensor base
Easy Twist on Sensor Installation

OPTION

Reflector

Motion Sensor



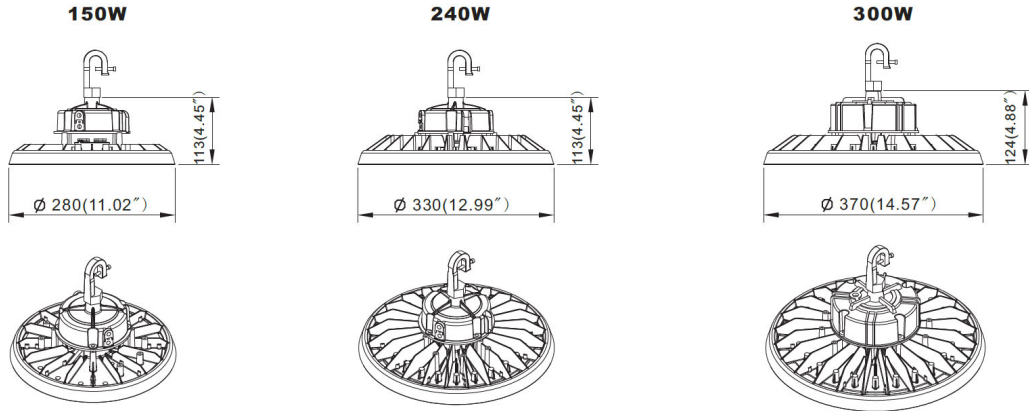
Specifications			
Model	TCL-UFO-150W-110-H-3W3CCT	TCL-UFO-240W-110-H-3W3CCT	TCL-UFO-300W-110-H-3W3CCT
Power	100W/120W/150W	150W/200W/240W	260W/280W/300W
Lumens	14000/16800/21000 lm	21000/28000/33600 lm	36400/39200/42000 lm
Metal Halide Equal	250W-400W	400W-1000W	1000W-1500W
Input Voltage	110-277 Vac		
Beam Angle	110°		
Housing	Die-cast Aluminum Housing		
Dimming	0-10V		
Protecting Rating	IP65		
Power Factor	0.9+		
Beam Angle	110°		
CCT	3000K-4000K-5000K Selectable		
CRI	80+		
Working Life	Lumen Maintenance over 70% @50,000+ hours		
Oper. Temperature	-40°F to 113°F (-40°C to 45°C)		

Ordering Guide

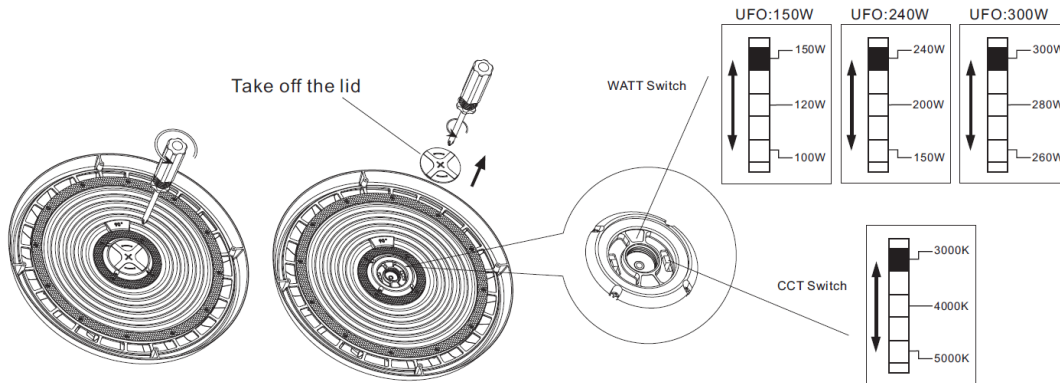
Company Code	Product Series	Wattage	H	3W	3CCT	Option
TCL	UFO: UFO4 Series	150W 100W/120W/150W Adjustable	H: 100-277V HV: 240-480V	3 Watt Adjustable	3000K- 4000K- 5000K Selectable	Blank: N/A
		240W 150W/200W/240W Adjustable				MS: Motion Sensor
		300W 260W/280W/300W Adjustable				BT: Bluetooth Sensor

LED UFO High Bay - UFO4 Series

DIMENSION



Watt and CCT Adjustable

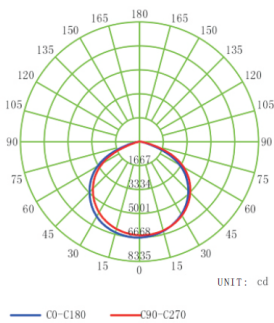


Package Information

Model. No.	TCL-UFO-150W-110-H-3W3CCT	TCL-UFO-240W-110-H-3W3CCT	TCL-UFO-300W-110-H-3W3CCT
Power	100W/120W/150W	150W/200W/240W	260W/280W/300W
QTY/PACK	1 PCS	1 PCS	1 PCS
Package Size	330x290x125mm 12.99"x11.41"x4.92"	350x340x135mm 13.77"x13.38"x5.31"	390x380x135mm 15.35"x14.96"x4.28"
Package Weight	2.47kg/ 5.44 lbs	3.6kg/ 7.9 lbs	4.28kg/ 9.43 lbs
Package CBM	0.0119625	0.016065	0.020007

PHOTOMETRIC REPORT

HY-UFO-150W-110-H-3W3CCT
LUMINOUS INTENSITY DISTRIBUTION DIAGRAM



VERTICAL EQUILUMINOUS CURVE

