

LED Ultra Slim Downlight - USDL Series



Application: Living room, bedroom, office, lobbies, conference room and more residential and commercial applications



Specifications

Model	TCL-USDL-R4-9W-5CCT	TCL-USDL-R6-12W-5CCT
Power	9W	12W
Size	4" Round	6" Round
Lumens	600LM	920LM
Input Voltage	120 V	
Beam Angle	110°	
Can Rating	Type IC	
Dimming	Triac Dimming	
Protecting Rating	IP20 (For indoor use ONLY)	
Power Factor	0.9+	
Beam Angle	110°	
CCT	2700K/3000K/3500K/4000K/5000K	
CRI	80+	
Working Life	Lumen Maintenance over 70% @50,000+ hours	
Oper. Temperature	-4°F to 104°F (-20°C to 40°C)	

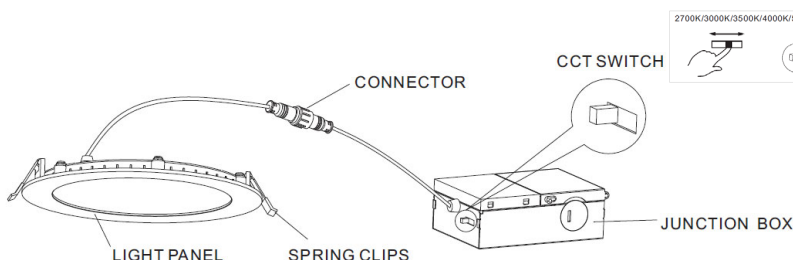
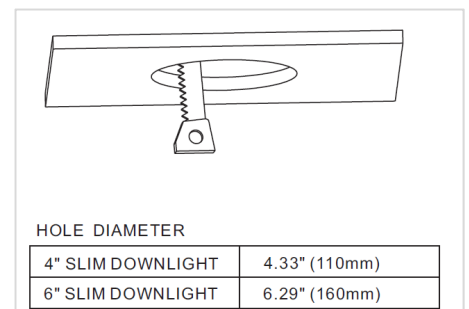
Description

This ultra slim downlight with tunable white technology provides high-quality light output and efficiency featuring a switch for easy color temperature adjustment to fit different environment needs. IC rated driver with convenience to eliminate the need for recessed housings. The ultra slim downlight is an ideal choice for easy remodel or new construction installation.

Feature

- Aluminum die cast outer frame, durable powder coat paint to prevent rust
- CCT Tunable: 2700K, 3000K, and 3500K or 3000K, 4000K, and 5000K using the switch on driver
- No housing required
- Edge-lit LED technology uses light guided plate to distribute light and polycarbonate lens provides even light distribution
- ETL and Energy Star Listed
- 5-year limited warranty

CCT Adjust and Cutout Hole Guide

HOLE DIAMETER	
4" SLIM DOWNLIGHT	4.33" (110mm)
6" SLIM DOWNLIGHT	6.29" (160mm)

