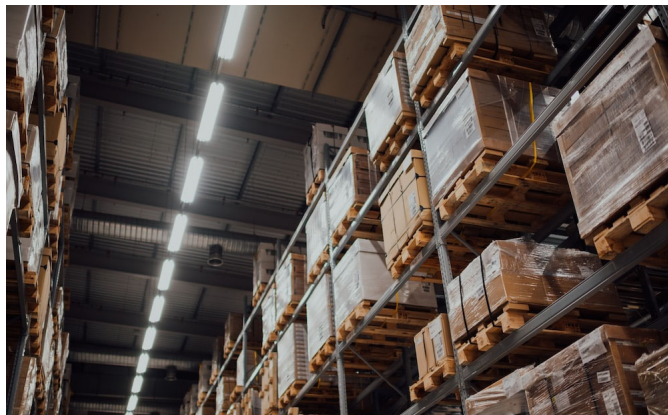
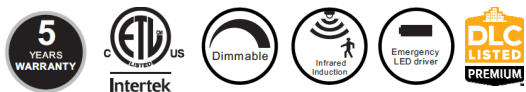




## LED Linear High Bay - LHB2 Series



**Application:** factories, warehouses, packaging and distribution facilities, manufacturing plants, retail spaces, gymnasiums, and other large, high ceiling spaces.

ACCESSORIES (Included)	
Image	Description
	Hook
	Chain

### FEATURE

- LED linear high bay lights offer a replacement for traditional fluorescents as well as metal-halide high bays
- Working temperature: -40°-122° F (-40°-50° C)
- IP20 rated and suitable for damp locations
- Lumen Maintenance over 70% @ 50,000+ Hours
- Beam Angle: 110°
- Body: White Finish. Aluminum Heatsink for Efficient Heat Dissipation
- Frosted/prismatic (varies by model) PMMA lens for smooth 5000K light diffusion

### ORDERING GUIDE

Model No	TCL-LHB2-110W2FT-H-50K	TCL-LHB2-165W2FT-H-50K	TCL-LHB2-165W4FT-H-50K	TCL-LHB2-225W4FT-H-50K	TCL-LHB2-300W4FT-H-50K
Length	2FT	2FT	4FT	4FT	4FT
Watt	110W	165W	165W	225W	300W
CCT	5000K				
CRI	>80				
Power Factor	≥0.9				
Lumens	14300 lm	21450 lm	21450 lm	29250 lm	39000 lm
Mounting Height	10-15ft	14-20ft	14-20ft	16-26ft	20-35ft
Dimmable	0-10V				
Voltage	AC 120-277V				
Current	917 mA @ 120 VAC / 397 mA @277 VAC	1.38 A @ 120 VAC / 596 mA @277 VAC		1.83 A @ 120 VAC / 794 mA @277 VAC	2.5 A @ 120 VAC / 1.08 A @277 VAC

### OPTION ORDERING GUIDE

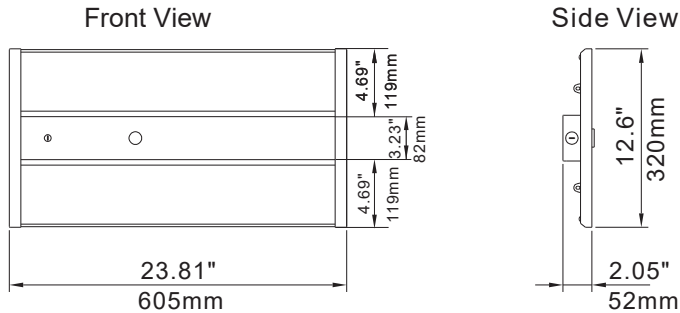
Model No	TCL-LHB2-110W2FT-H-50K	TCL-LHB2-165W2FT-H-50K	TCL-LHB2-165W4FT-H-50K	TCL-LHB2-225W4FT-H-50K	TCL-LHB2-300W4FT-H-50K
Wire Guard	N/A	ACCS-LHB-WG-2FT	ACCS-LHB-WG-4FT	ACCS-LHB-WG-4FT	ACCS-LHB-WG-4FT
Motion Sensor (Max 40ft)	<b>ANT-5-4T:</b> ON/Off or Bi Level and Daylight Harvesting				
Motion Sensor (Max 50ft)	<b>BRI819P-B-O:</b> On/Off <b>BRI819P-B-D:</b> Bi Level				
Emergency Driver	BLD-HM15D-480800	BLD-HM25D-480800	BLD-HM25D-480800	BLD-HM25D-480800	N/A

## LED Linear High Bay - LHB2 Series

### DIMENSION

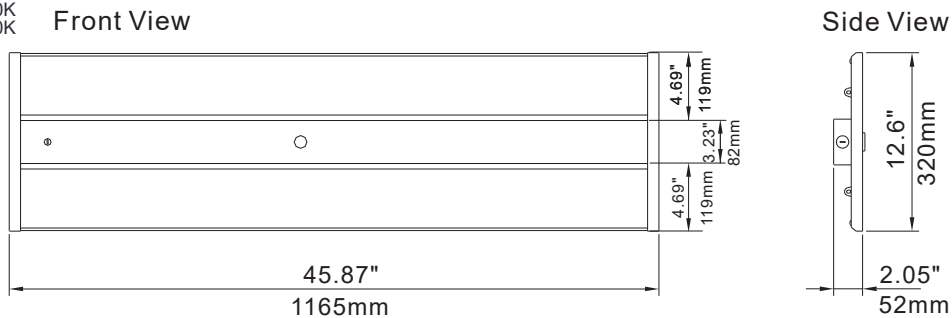
Model No.

TCL-LHB2-110W2FT-H-50K  
TCL-LHB2-165W2FT-H-50K



Model No.

TCL -LHB2-165W4FT-H-50K  
TCL -LHB2-225W4FT-H-50K  
TCL -LHB2-300W4FT-H-50K

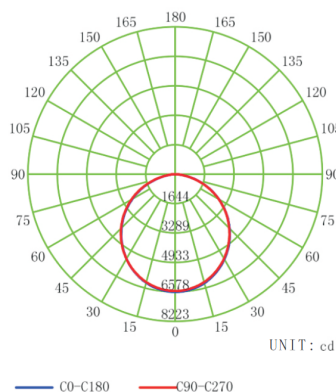


### PACKAGE INFO

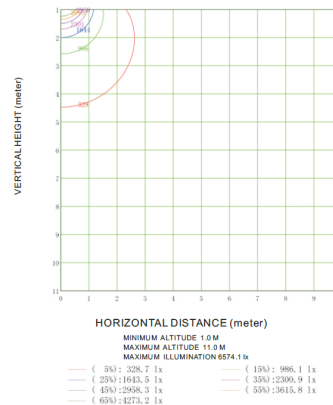
Model No.	TCL -LHB2-110W2FT-H-50K	TCL -LHB2-165W2FT-H-50K	TCL -LHB2-165W4FT-H-50K	TCL -LHB2-225W4FT-H-50K	TCL -LHB2-300W4FT-H-50K
Size	2FT	2FT	4FT	4FT	4FT
QTY/PACK	2PCS/PACK				
Package Size	660X185X393mm 25.98"X7.28"X15.47"		1200X185X393mm 47.24"X7.28"X15.47"		
Package Weight	7.28kg/16.05 lbs		13.05 kg/28.77 lbs	14.15 kg/31.2 lbs	17.22 kg/37.96 lbs
Package CBM	0.047985		0.087246	0.087246	0.111666
40GP Capacity	~2410PCS		~1320PCS		
40HQ Capacity	~2830PCS		~1550PCS		
45HQ Capacity	~3250PCS		~1780PCS		

### PHOTOMETRIC REPORT

HYA -LHB2-165W4FT-H-  
LUMINOUS INTENSITY DISTRIBUTION DIAGRAM

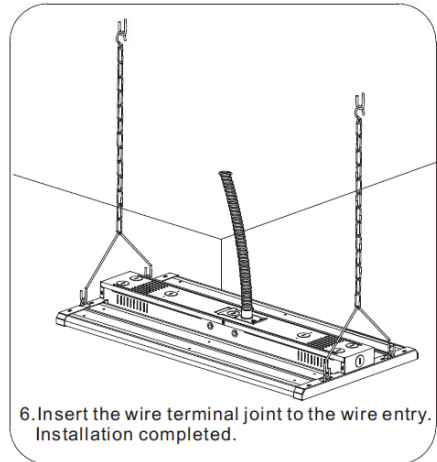
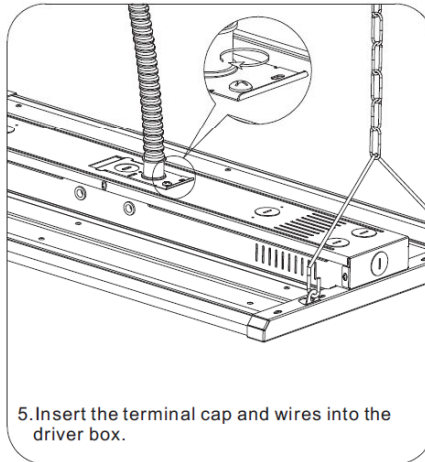
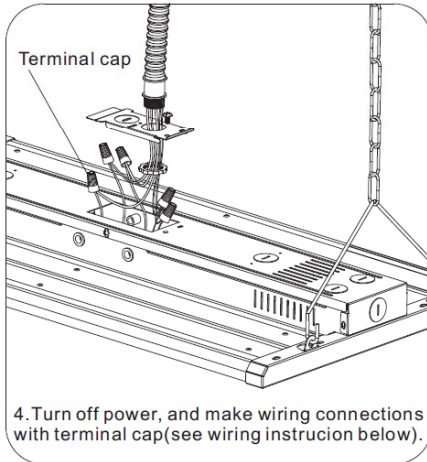
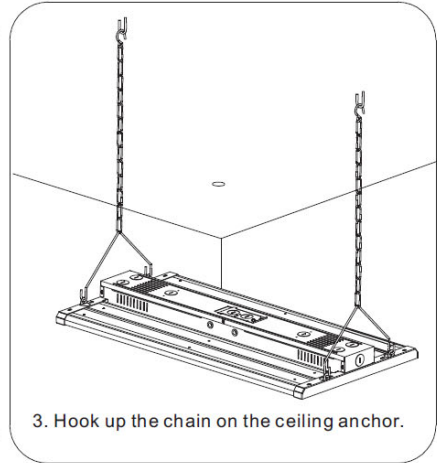
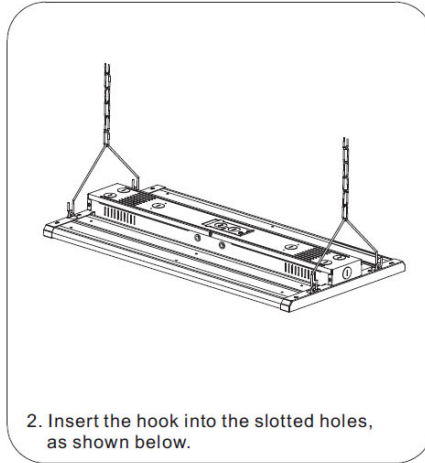
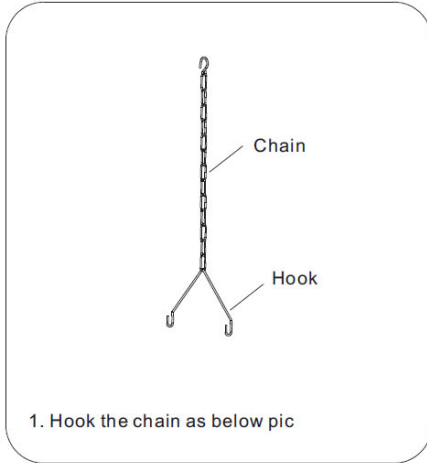


VERTICAL EQUILUMINOUS CURVE



## LED Linear High Bay - LHB2 Series

### INSTALLATION



#### Wiring Guide



#### ANT-5-4T (Motion Sensor) Installation

