

LED Center Basket Troffer - TRCB Series



Application: office, hospital, school, shopping center and more commercial applications

SPECIFICATION

Model No.	TCL-TRCB-35W2X2P-30K/40K/50K	TCL-TRCB-50W2X4P-30K/40K/50K
Size	2'x2'	2'x4'
Watt	25W/35W Adjustable	33W/40W/50W Adjustable
Lumens	3125/4375 lm	4026/5000/6100 lm
CCT	3000K/4000K/5000K Adjustable	
CRI	>80	
PF	>0.9	
Beam Angle	110°	
Lifetime	Lumen Maintenance over 70% @ 50,000+ Hours	
Dimming	0-10V	
Oper. Temperature	- 4°F ~+104°F / -20°C ~+40°C	
DLC ID	S-WVBTA1	S-DFLM69

FEATURE

The slim LED troffers features a popular center basket design offers a clean, versatile style and volumetric distribution. It is typically used to replace 2x2 and 2x4 fluorescent light fixtures.

- Suitable for damp location
- Body: White Finish. Aluminum Heatsink for Efficient Heat Dissipation
- Watt and CCT adjustable to fit for different locations

OPTION

- Motion Sensor: Bi-level or on/off
- Emergency Back-up

ORDERING GUIDE

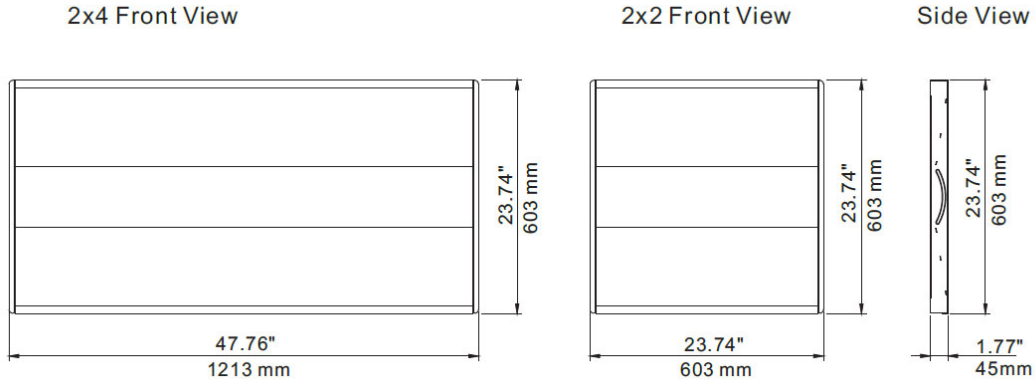
Company Code	Product Series	Size	Wattage	P	CCT	Option
TCL	TRCB: Center Basket Troffer	2x2	35W: 25W/35W Adjustable	P: DLC Premium	30K/40K/50K: 3000K/4000K/5000K Adjustable	N/A
		2x4	50W: 33W/40W/50W Adjustable			EM: Emergency Driver Installed MS: Motion Sensor Installed MS/EM: Motion Sensor and Emergency Back-up Installed

OPTION SPEC

Motion Sensor						
Model No.	Power Supply	Mounting Height	Dim Level	Daylight Control	Hold Time	Standby-by Time
ANT-7	12V-24V DC	Max 13FT	0%/10%/30%/50%	10/30/50Lux	10s/1M/5M/15M	Infinite/1Min/30Min/60Min
Emergency Driver						
Model No.	Input Voltage		Emergency Time	Output Current and Voltage		Output Power
BLD-CM20E-480800-8W	100 277Vac		≥1.5H	160-320mA 25 48Vdc		8W

LED Center Basket Troffer - TRCB Series

DIMENSION



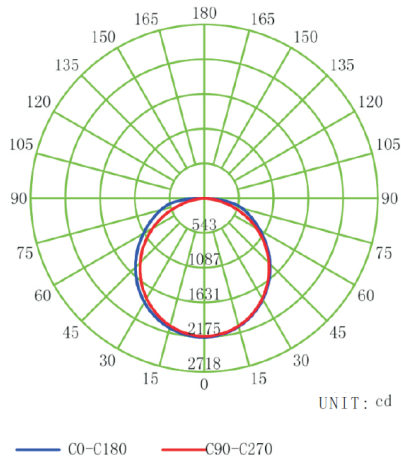
PACKAGE INFO

Model. No.	TCL-TRCB-XXW2x2P-XXK	TCL-TRCB-XXW2x4P-XXK
Size	2x2	2x4
QTY/PACK	2PCS/PACK	
Package Size	655X105X655mm/ 25.79"X4.13"X25.79"	1260X105X655mm/ 49.6"X4.13"X25.79"
Package Weight	7.7 kg/17 lbs	14.5 kg/31.9 lbs
Package CBM	0.045048	0.086657
40GP Capacity	~2570PCS	~1330PCS
40HQ Capacity	~3010PCS	~1560PCS
45HQ Capacity	~3460PCS	~1800PCS

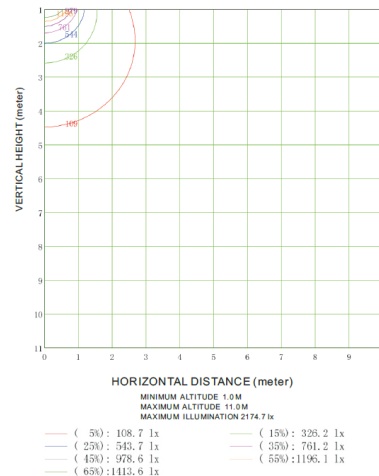
PHOTOMETRIC REPORT

2X4 TROFFER

LUMINOUS INTENSITY DISTRIBUTION DIAGRAM



VERTICAL EQUILUMINOUS CURVE



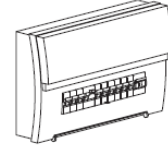
LED Center Basket Troffer - TRCB Series

INSTALLATION



WARNING:

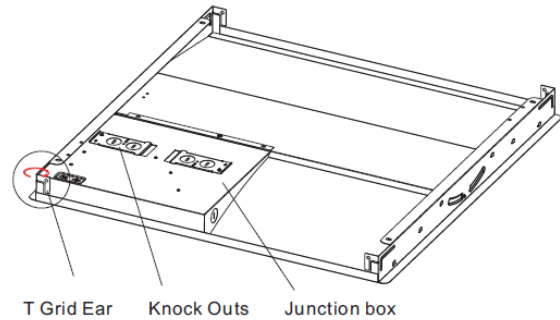
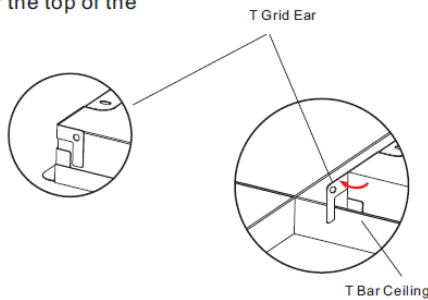
1. Switch off before installation.
2. Switch on only after complete installation and examination of the circuit.



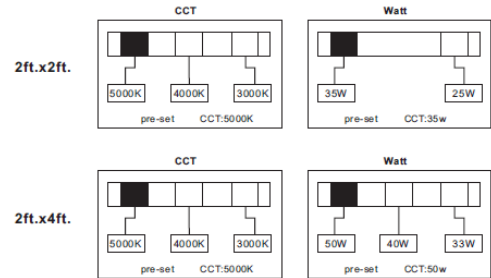
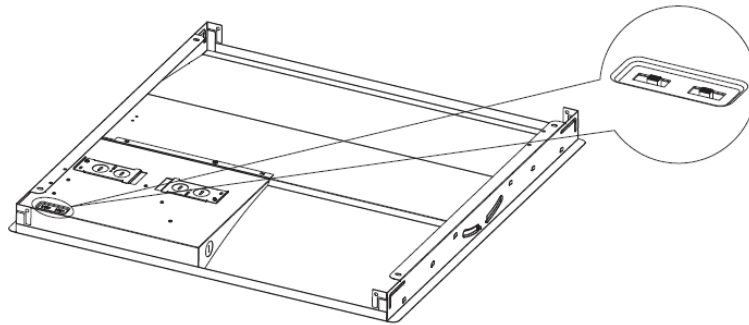
**Turn off
Power Supply**

1. Bring the TRCB Troffer into the T bar ceiling panel.
2. Bend T-grid ears over the top of the T bar ceiling.

Fold the hook up with 90°



Adjusting the switch, and making the switch fix on the needed Watt and CCT.
 Adjustable watt is 2x2ft: 25W/35W, 2x4ft: 33W/40W/50W, Adjustable CCT is 3000K/4000K/5000K.



WIRING GUIDE

1. Wire input end of the LED driver to supply wires using connector according to wiring section. Wire connections must be insulated.
2. Connect the BLACK/BROWN lead to LINE(+) supply lead.
3. Connect the WHITE/BLUE lead to NEUTRAL/Common (-) supply lead.
4. Connect the GREEN lead to GROUND supply lead.
5. If any, connect PURPLE/BLUE to 0-10V SIGNAL supply lead and GREY/WHITE to 0-10V NEUTRAL/REFERENCE supply lead.



CAUTION
RISK OF
ELECTRIC SHOCK

.DISCONNECT POWER BEFORE INSULATING OR SERVICING

.ALL ELECTRICAL WORK SHOULD BE COMPLETED BY QUALIFIED PERSONNEL

.AND MEET NATIONAL (NEC), REGIONAL AND LOCAL ELECTRICAL CODES

WIRING DIAGRAM

ELECTRICAL SYSTEM

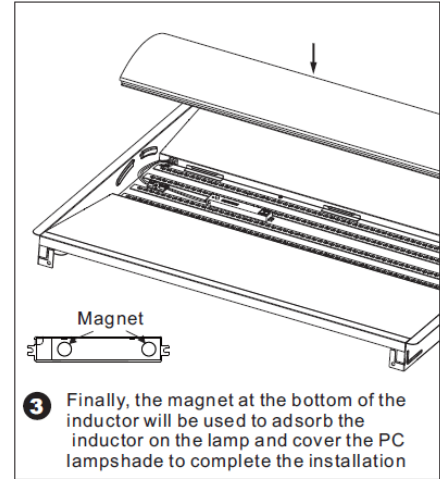
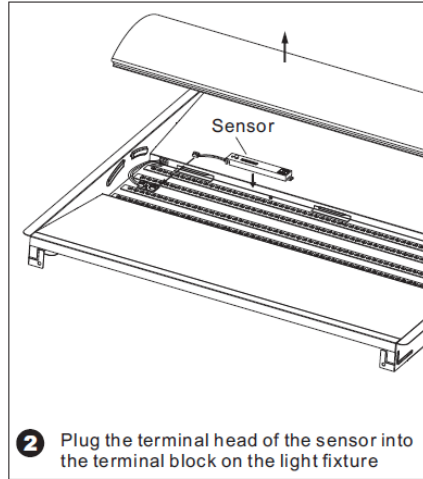
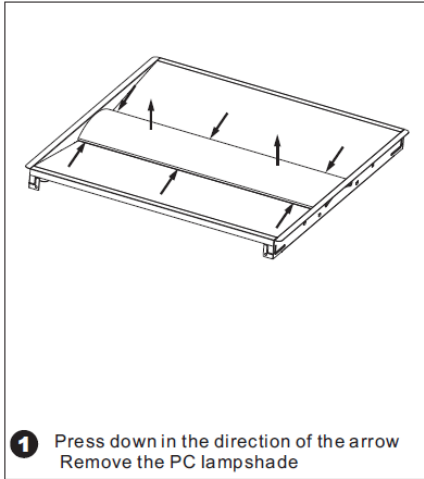
— BLACK/BROWN = HOT/LINE
— WHITE/BLUE = NEUTRAL/Common
— GREEN/YELLOW = GROUND

0-10V DIMMING SYSTEM (IF ANY)

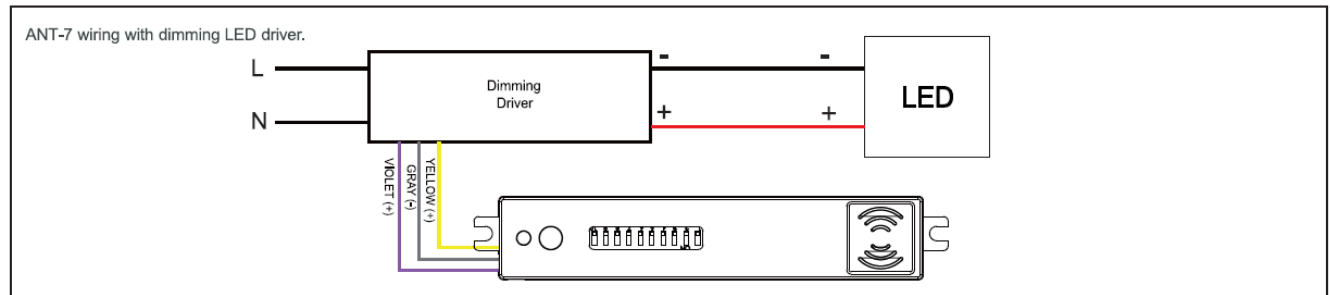
— PURPLE/BLUE = 0-10V SIGNAL
— GREY/WHITE = NEUTRAL/REFERENCE

LED Center Basket Troffer - TRCB Series

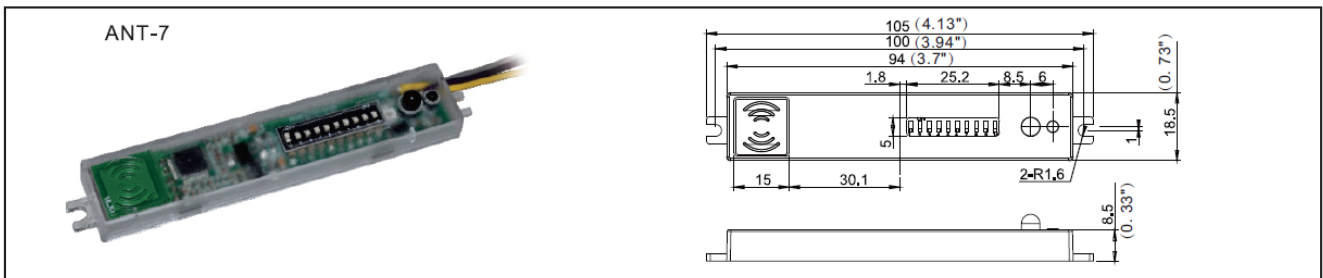
Build-In Motion Sensor Information



WIRING DIAGRAMS (If the sensor has a terminal head, it can be directly inserted into the terminal block on the lamp. No need to rewire)



BUILT-IN MOTION SENSOR INFORMATION



⚠ WARNING

NOTE: Warm up time is 15seconds. After the sensor connects input power first time, the light will keep on 15 seconds, then go to dimming to work normally.

NOTE: Factory Default Setting: 100% sensitivity, Hold on time: 10seconds, Daylight sensor is 30lux, Dimming level:30%,Dimming time: 60minutes.

NOTE: Any setting changed by DIP Switch or remote control, the led light that sensor connect will on/off as confirm.

SPECIFICATIONS

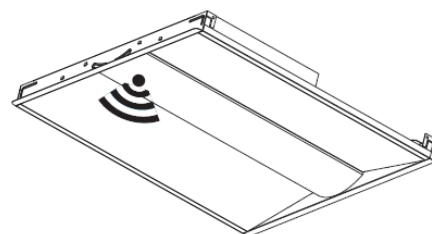
Power supply	12V-24V DC, >50mA
HF System	5.8GHz±75MHz
Dim control output	0-10V, max. 25mA sinking current
Detection radius/angle	Max 17ft.(5.2m)/360°
Mounting height	Max 13ft(4m)
Remote range	50ft. (15m) indoor, no backlight
Humidity	Max. 95% RH
Temperature	-40°F ~ 158°F (-40°C ~ 70°C)

PARAMETER SETTING BY DIP SWITCH

Consider the picture: 1, 2 set sensitivity; 3, 4 set hold time; 5, 6 set the lux; 7, 8 stand-by light level 9, 10 set stand-by time;



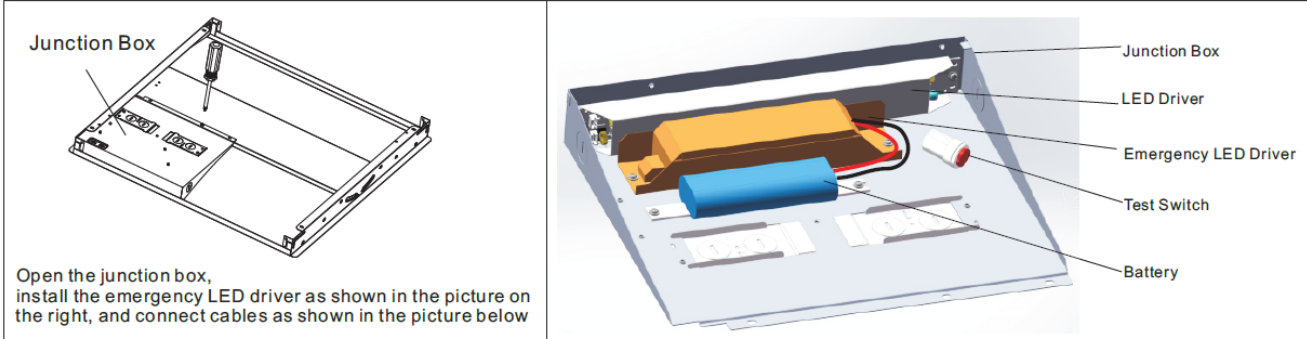
For detailed adjustment methods, please refer to the ANT-3A instruction manual



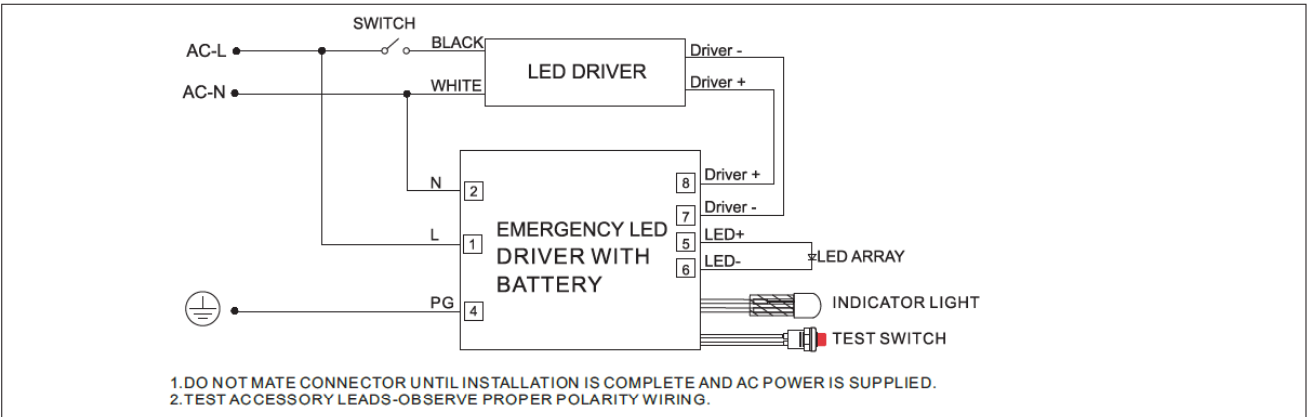
LED Center Basket Troffer - TRCB Series

Build-In Emergency Back-up Information

EMERGENCY LED DRIVER INSTALLATION POSITION



WIRING DIAGRAM



EMERGENCY LED DRIVER INFORMATION

Specifications:



Specifications:

Universal Input Voltage	100 277Vac 50 60Hz
AC Input Current	100mA max.
AC Input Power Rating	7.0W max.
Output Current and Voltage	160-320mA 25 48Vdc
Output Power	8W
Emergency Time	≥ 1.5H
Full Warranty	5 Years
Test Switch Indicator Light	Illuminated Test Switch, indicator Light
Battery	Li-ion battery-7.4V/2500mAH
Battery Charging Current	250mA
Charging Time	≥ 24Hours
Temperature Rating (Ambient)	Li-ion 0°C to +40°C (32°F to 104°F)

AC Operation:
AC power is present, The LED load from the LED driver is normal power supply, AC LED driver output current can not exceed 150W or 4A, the emergency driver is charging in a standby mode, The green LED light on to indicate that it is charging.

Emergency operation:
When the AC power goes out, The emergency driver detects the AC power outage and automatically switch to the working emergency mode. The green LED off. When the AC power is restored, the emergency driver backs to AC power working and starts re-charging, the green LED light on.

Dimensions:

Case 7.4"x1.5"x1.14" (mounting center-7.0")
Battery 6.1"x1.57" (mounting center-5.66")

